

EagleBurgmann®

Your partner for sealing technology worldwide

Cartex®

Burgmann Cartex®

**All the seal
your pump needs**

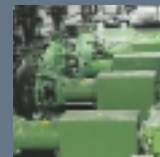
Cartex® ... makes pumps safe for the environment, reliable and economical.

The Burgmann Cartex® is a cartridge mechanical sealing system which offers an excellent solution for all of your centrifugal pump applications. You can use it as original equipment or on your retrofit projects. High-grade materials make Cartex® the seal of choice for a wide range of applications. Cartex® enables a high level of standardization in a large variety of industrial sectors,

ranging from water treatment and chemicals to food production.

Cartex® offers all of the features of state-of-the-art sealing technology including new, improved assembly fixtures that make installati-

on even easier, generous axial compensation of movement for safer operation, large auxiliary connection bores and an integrated circulation device for optimal cooling. You also get all of the familiar benefits such as stationary springs that are well protected and positioned away from the product, dual pressure balance, solid seal faces and much more.

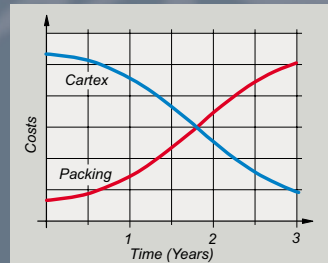


- Cartridge unit ready for installation
- Easy to install - it is nearly impossible to make assembly errors
- Easy to store
- For initial installation or as a retro-fit
- Reduced downtime during maintenance
- QDP:24 program ensures fast delivery
- Order the seal that meets your exact requirements, no expensive options: choose only the version that fits your application
- Proven design with a high margin of safety and top Burgmann quality
- Every Cartex design detail reflects years of Burgmann experience
- High-grade materials are used to withstand a wide range of media and broaden the application horizon

Environmental safety and economy combined

- Balanced design reduces friction and power consumption, resulting in lower energy usage and longer service life
- Fits nearly any centrifugal pump that has a conventional stuffing box

- Ideal for retrofitting stuffing box packings, giving you the following benefits:
 - much longer service life
 - only 1/6 of the energy requirements
 - reduced consumption of buffer fluid
 - you control or eliminate leakage to the surrounding area using a quench or double seal



Cost comparison - Cartex vs. stuffing box packing

Which Cartex when?

Operation conditions	-SNO	-SN	-QN	-DN
Dead-end configuration	•			
Volatile media with poor lubrication properties			•	•
Media that reacts with oxygen			•	•
Low viscosity media with no solids	•	•	•	
Media containing solids that tend to form sediment		•	•	•
Aggressive media				•
Media that pose an environmental hazard				•
Media that are not hazardous to the environment	•	•		



Shortest delivery times

Cartex is available ex-stock as part of our QDP:24 program for the following types and material combinations with shaft diameters in the $d_1 = 25 \dots 75$ mm range:

Cartex-SN: Q₁Q₁V(U₁)MG
BQ₁V(U₁)MG

Cartex-DN: Q₁Q₁V(U₁)MG - BQ₁VMG
BQ₁V(U₁)MG - BQ₁VMG

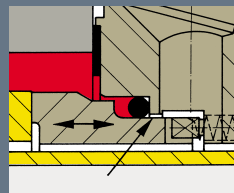
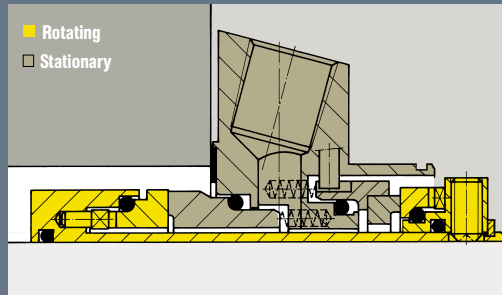
Items are shipped within 24 hours of order receipt. We can normally supply all other sizes and material combinations within about 1 - 3 weeks.

Advanced technology for high operating reliability

Stationary seal configuration

... based on the Burgmann HR principle. The spring-loaded seal face is mounted in a stationary position in the housing cover, and the seat rotates in the product. This design has the following advantages:

- A higher sliding velocity can be achieved.
- The seal space surrounding the product is smooth and largely free of protrusions or cavities, which is ideal for media that contain solids.
- The seat of the dynamically loaded O-ring is located on the clean side of the seal face. It is oriented away from the product, so there are no deposits that could limit or obstruct alignment.
- There is no dynamically loaded O-ring at the shaft sleeve, so there is no "running in" due to angular deviation.
- Spring protection. The stationary springs (multiple springs) do not come into contact with the product and are not subjected to dynamic load.
 - no clogging of the springs or spring chamber, ensuring high functional reliability
 - uniform spring force is applied to the entire circumference of the seal face
 - high circumferential speeds have no effect on spring action

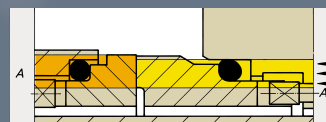


Clean alignment path for the dynamic O-ring facing away from the product (see arrow).

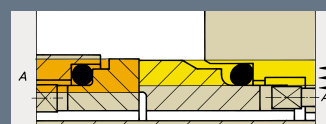
- Product
- Atmosphere

Dual pressure balance

The Cartex-DN features dual pressure balancing. It can be used as a double seal ($p_3 > p_1$) or as a single seal with quench ($p_1 > p_3$). Either way, the seal is hydraulically balanced. However, the crucial advantage lies in the safety aspect in the event of buffer fluid pressure failure or reverse pressure. The seal remains closed and functional, preventing abrupt, excessive leakage.



Cartex-DN operating as double seal ($p_3 > p_1$)

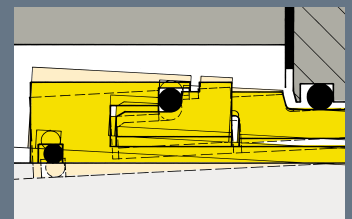


Cartex-DN operating as single seal in tandem configuration ($p_1 > p_3$)

- A = sliding face
- A_H = face under hydraulic load
- p_1 = product pressure
- p_3 = buffer fluid pressure

Flexible mounting of the seal face and seat

- Ensures a reliable fit of the sliding faces to prevent leakage even if an angular deviation of the shaft or shaft sleeve occurs.
- Reduces distortion and wobble caused by radial and axial run-out of the pump shaft in the housing. Smooth, low-wear operation ensures long service life.



- Normal mounting position
- Shaft deflection. The sliding faces remain parallel to each other.

Solid seal face and seat

designed for optimal torque transmission. Reliable performance even at the limits of allowable axial movement and angular off-set, e.g. as a result of shaft misalignment.

- Axially mounted square pin eliminates the risk of drive-slot erosion
- Large cross-sectional area of pin reduces contact pressure and provides the best possible protection against breakage
- Tungsten carbide (U_2) is used to withstand high mechanical stress, for example viscous or crystallizing media.

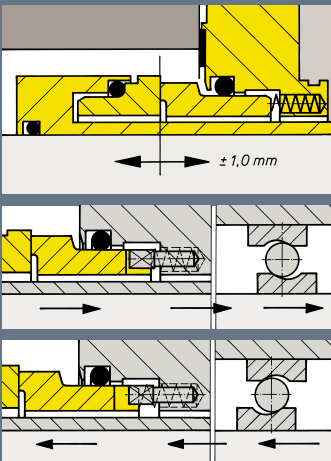


Large auxiliary connection bores

- Higher volume and faster flow of flushing, quenching and buffer fluid
- This results in better cooling (increased protection against thermal overload)
- and improved cleaning action to prevent buildup of deposits around the seal gap and O-rings (ensures proper seal face alignment and avoids opening of the sliding faces)

Large ± 1.0 mm axial tolerance and movement

Large axial tolerance easily compensates for play in the pump shaft (e.g. due to bearing run-in) with no effect on the sealing function.



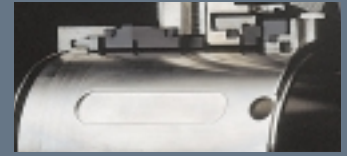
The design of the stationary seal face (long travel of O-ring seat, no blockage, secure engagement with square pin) ensure reliable seal(ing) function over the entire tolerance range.

Improved assembly fixtures

Secure and center the rotating and stationary seal components. Optimal factory adjustment of the seal in relation to spring tension, and the cover is 100% assured up to final attachment to the shaft and pump housing.

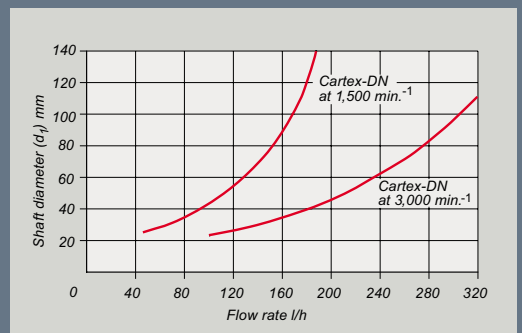


- Cannot be installed wrongly on fully compressed springs
- Easier and faster removal of the assembly fixtures regardless of the mounting position.



Significant higher life cycle due to integrated pumping device (Cartex-DN).

- No need for an external circulation pump for the buffer fluid
- Greater efficiency (exchange of quench fluid) when the Cartex-DN is operated with a throughflow quench
- Optimal exchange of buffer cooling



fluid (significantly better than external systems) around the entire seal, providing effective reduction in temperature around the seal gap on the inboard and outboard seals.

- Patent-Nr. EP 0790446, US 5909878.



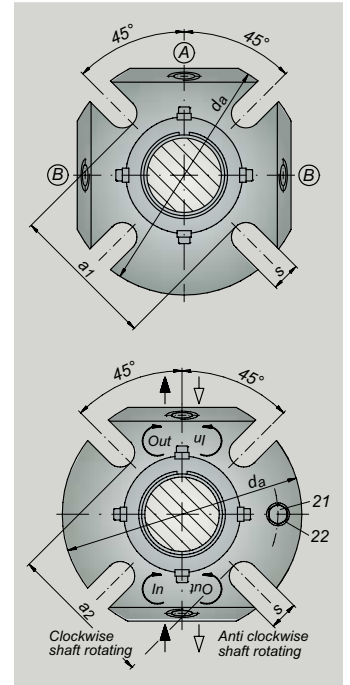
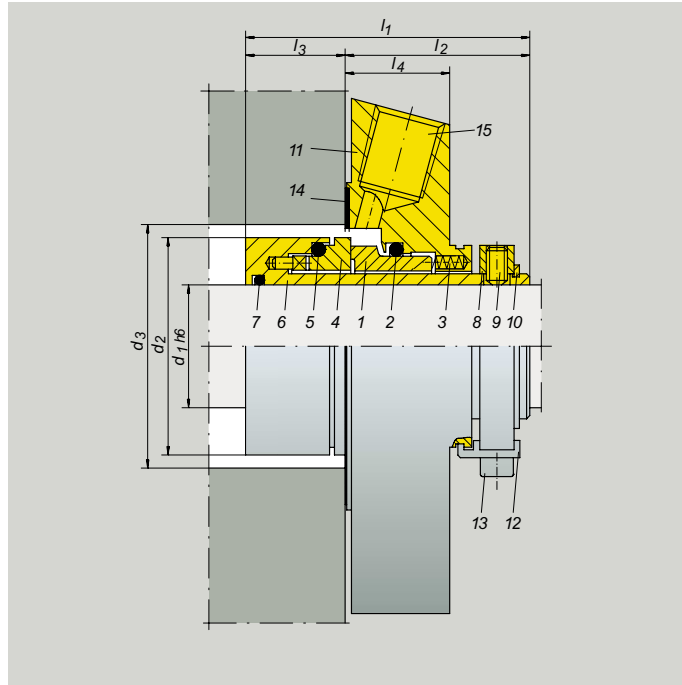
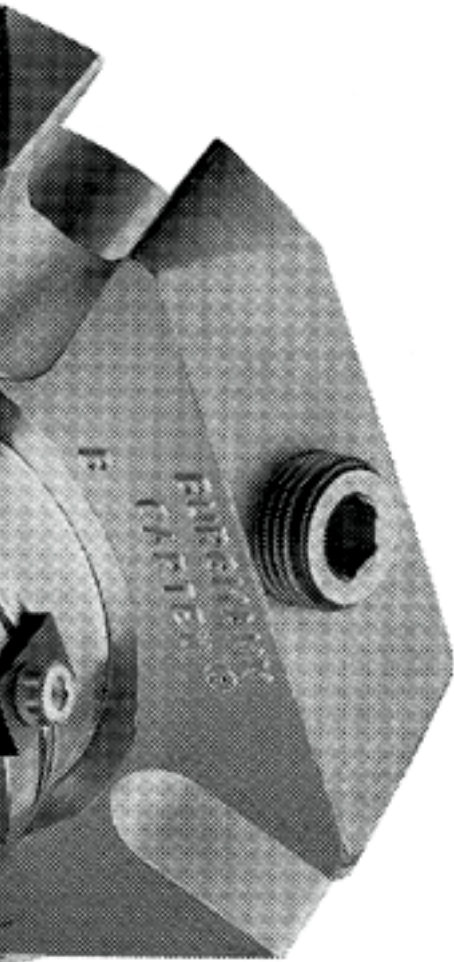
Horizontal orientation of buffer fluid connections, venting at the top. Inlet/outlet depends on direction of shaft rotation.

**Easy to install –
safe and efficient to operate**

Venting bores

Additional venting bores are provided so that you can rotate Cartex-DN by 90°. If you do this, the buffer fluid connections are in a horizontal position, making it easier to access them in the pump skirt in cramped conditions.

Cartex® ... the seal designed for indi



Cartex mechanical seals are fully pre-assembled. They are balanced, can be used in either direction of rotation and come with all the connections you need for the most common modes of operation.

Operating limits

$d_1 = 25 \dots 100 \text{ mm (1" ... 4")}$
 $t = -40 \dots 220 \text{ }^\circ\text{C}$
 (check O-ring temperature resistance)

$p_1 = 25 \text{ bar}$
 $v_g = 16 \text{ m/s}$ } material combin. Q₁/B
 $p_1 = 12 \text{ (20*) bar}$
 $v_g = 10 \text{ m/s}$ } Q₁/Q₁

$p_3 = 25 \text{ bar}$
 $\Delta p (p_3 - p_1) \dots 25 \text{ bar}$
 (1,5 ... 2 bar, 7 bar recommended for buffer media with poor lubrication characteristics)

Buffer fluid recommended: ISO VG 2-5

Axial movement max. $\pm 1.0 \text{ mm}$
 from $d_1 = 75 \pm 1.5 \text{ mm}$

*) Cartex-DN

Cartex-SN

Single seal with flushing connection (A)

Item Description

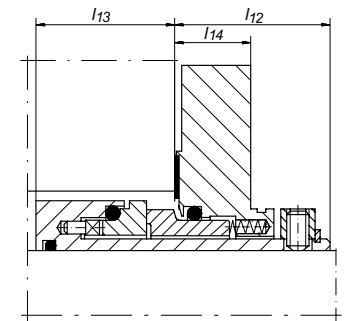
- 1 Seal face
- 2, 5, 7 O-ring
- 3 Spring
- 4 Seat
- 6 Shaft sleeve
- 8 Drive collar
- 9 Set screw
- 10 Snap ring
- 11 Cover
- 12 Assembly fixture (remove after installation)
- 13 Screw
- 14 Gasket
- 15 Screw plug
- 16 Radial seal (-QN), throttle ring (-TN)

Materials

Seal face: Q₁, B₁
 Seat: Q₁
 Components: G
 Springs: M
 O-rings: V, E, K, U₁
 Radial seal: P, T₃
 Throttle ring: T₁₂
 Gasket: Buratherm®, T₂
 Assembly fixture: PEEK

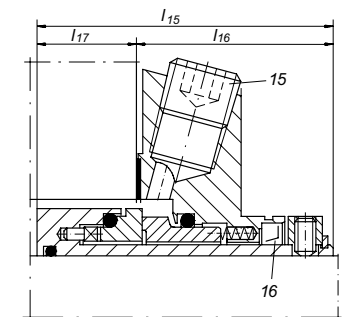
Cartex-SNO

Single seal without connections, for "dead-end" operation.



Cartex-QN/TN

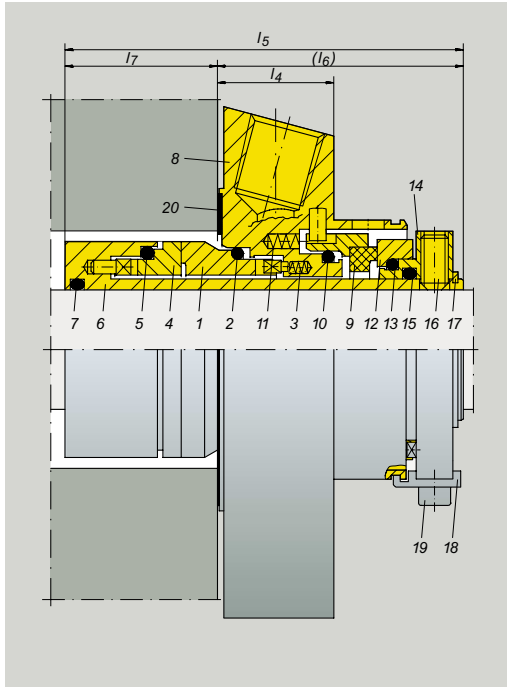
Single seal for operation with unpressurized fluid quench. Same as "-SN" version but with outboard lip seal (longer fitting length). The cover has auxiliary connections for flushing (A) and quench (B). The Cartex-TN version has a throttle ring (item 17) made of carbon graphite or PTFE reinforced with carbon fiber.



Cartex for ANSI pumps

Available for standard (S) and big bore (B) seal chambers:
 Cartex-ASP/N / -ABPN (equal to -SN)
 Cartex-ASTN / -ABTN (equal to -TN)
 Cartex-ASDN / -ABDN (equal to -DN)

vidual applications



Cartex-DN

Double seal, double pressure balanced (the seal remains closed in case of buffer fluid pressure failure or reverse pressure); buffer fluid system required; integrated circulation system eliminates the need for an additional circulating device.

If used as a double seal, a buffer fluid system will be required (e.g. Burgmann TS 2000 - both seals are always internally pressurized). In tandem operation, the quenching fluid is, depending on operating conditions, used in dead-end (API 610, Plan 51) or throughflow mode (API 610, Plan 52 or 54 - inboard seal externally pressurized).

Item	Description	Item	Description
1	Seal face	14	Drive collar
2, 5, 7, 10, 13, 15	O-ring	16	Set screw
3	Spring	17	Snap ring
4	Seat	18	Assembly fixture (remove after installation)
6	Shaft sleeve	19	Hex socket head screw
8	Cover	20	Gasket
9	Seal face	21	Screw plug
11	Spring	22	Gasket
12	Seat		

d ₁	d ₂	d _{3min.}	d _{3max.}	l ₁	l ₂	l ₃	l ₄	l ₅	l ₆	l ₇	l ₁₂	l ₁₃	l ₁₄	l ₁₅	l ₁₆	l ₁₇	a ₁	a ₂	d _s	s
25	43.0	44.0	51.5	67	42.4	24.6	25.4	86.5	53.4	33.1	35.0	32.0	17.5	79.5	53.4	26.1	62	62	105	13.2
28	46.0	47.0	52.0	67	42.4	24.6	25.4	86.5	53.4	33.1	35.0	32.0	17.5	79.5	53.4	26.1	62	61	105	13.2
30	48.0	49.0	56.0	67	42.4	24.6	25.4	86.5	53.4	33.1	35.0	32.0	17.5	79.5	53.4	26.1	65	67	105	13.2
32	49.8	51.0	57.0	67	42.4	24.6	25.4	86.5	53.4	33.1	35.0	32.0	17.5	79.5	53.4	26.1	67	70	108	13.2
33	49.8	51.0	57.0	67	42.4	24.6	25.4	86.5	53.4	33.1	35.0	32.0	17.5	79.5	53.4	26.1	67	70	108	13.2
35	53.0	54.0	61.5	67	42.4	24.6	25.4	86.5	53.4	33.1	35.0	32.0	17.5	79.5	53.4	26.1	70	72	113	13.2
38	56.0	57.0	66.0	67	42.4	24.6	25.4	86.5	53.4	33.1	35.0	32.0	17.5	79.5	53.4	26.1	75	75	123	13.2
40	58.0	59.0	68.0	67	42.4	24.6	25.4	86.5	53.4	33.1	35.0	32.0	17.5	79.5	53.4	26.1	75	77	123	14.2
42	60.5	61.5	69.5	67	42.4	24.6	25.4	86.5	53.4	33.1	35.0	32.0	17.5	79.5	53.4	26.1	80	80	133	14.2
43	60.5	61.5	70.5	67	42.4	24.6	25.4	86.5	53.4	33.1	35.0	32.0	17.5	79.5	53.4	26.1	80	80	133	14.2
45	62.5	64.0	73.0	67	42.4	24.6	25.4	86.5	53.4	33.1	35.0	32.0	17.5	79.5	53.4	26.1	81	82	138	14.2
48	65.6	67.0	75.0	67	42.4	24.6	25.4	86.5	53.4	33.1	35.0	32.0	17.5	79.5	53.4	26.1	84	85	138	14.2
50	68.0	69.0	78.0	67	42.4	24.6	25.4	86.5	53.4	33.1	35.0	32.0	17.5	79.5	53.4	26.1	87	87	148	14.2
53	72.0	73.0	87.0	67	42.4	24.6	25.4	86.5	53.4	33.1	35.0	32.0	17.5	79.5	53.4	26.1	97	97	148	18.0
55	73.0	74.0	83.0	67	42.4	24.6	25.4	86.5	53.4	33.1	35.0	32.0	17.5	79.5	53.4	26.1	90	92	148	18.0
60	78.0	79.0	91.0	67	42.4	24.6	25.4	86.5	53.4	33.1	35.0	32.0	17.5	79.5	53.4	26.1	102	102	157	18.0
65	84.8	85.7	98.5	67	42.4	24.6	25.4	86.5	53.4	33.1	35.0	32.0	17.5	79.5	53.4	26.1	109	109	163	18.0
70	93.0	95.0	108.0	67	42.4	24.6	25.4	86.5	53.4	33.1	35.0	32.0	17.5	79.5	53.4	26.1	118	118	178	18.0
75	100.0	101.6	118.0	84	57.4	26.6	28.0	108.0	63.9	44.1	46.1	37.9	22.0	98.0	63.9	34.1	129	129	190	18.0
80	106.4	108.0	124.0	84	57.4	26.6	28.0	108.0	63.9	44.1	46.1	37.9	22.0	98.0	63.9	34.1	135	135	195	18.0
85	109.5	111.1	128.0	84	57.4	26.6	28.0	108.0	63.9	44.1	46.1	37.9	22.0	98.0	63.9	34.1	139	139	198	22.0
90	115.9	117.5	135.0	84	57.4	26.6	28.0	108.0	63.9	44.1	46.1	37.9	22.0	98.0	63.9	34.1	145	145	205	22.0
95	119.1	120.7	138.0	84	57.4	26.6	28.0	108.0	63.9	44.1	46.1	37.9	22.0	98.0	63.9	34.1	148	148	208	22.0
100	125.4	127.0	144.0	84	57.4	26.6	28.0	108.0	63.9	44.1	46.1	37.9	22.0	98.0	63.9	34.1	154	154	218	22.0
1.000	1.693	1.750	2.000	2.640	1.669	0.969	1.000	3.400	2.102	1.303	1.378	1.260	0.689	3.130	2.102	1.028	2.440	2.440	4.134	0.520
1.125	1.811	1.875	2.050	2.640	1.669	0.969	1.000	3.400	2.102	1.303	1.378	1.260	0.689	3.130	2.102	1.028	2.440	2.402	4.134	0.520
1.250	1.960	2.000	2.250	2.640	1.669	0.969	1.000	3.400	2.102	1.303	1.378	1.260	0.689	3.130	2.102	1.028	2.640	2.760	4.330	0.520
1.375	2.086	2.125	2.420	2.640	1.669	0.969	1.000	3.400	2.102	1.303	1.378	1.260	0.689	3.130	2.102	1.028	2.750	2.840	4.449	0.520
1.500	2.200	2.250	2.625	2.640	1.669	0.969	1.000	3.400	2.102	1.303	1.378	1.260	0.689	3.130	2.102	1.028	2.950	2.950	4.842	0.520
1.625	2.340	2.375	2.700	2.640	1.669	0.969	1.000	3.400	2.102	1.303	1.378	1.260	0.689	3.130	2.102	1.028	3.030	3.090	4.842	0.599
1.750	2.460	2.500	2.812	2.640	1.669	0.969	1.000	3.400	2.102	1.303	1.378	1.260	0.689	3.130	2.102	1.028	3.190	3.230	5.433	0.599
1.875	2.582	2.625	2.940	2.640	1.669	0.969	1.000	3.400	2.102	1.303	1.378	1.260	0.689	3.130	2.102	1.028	3.190	3.350	5.433	0.599
2.000	2.677	2.750	3.190	2.640	1.669	0.969	1.000	3.400	2.102	1.303	1.378	1.260	0.689	3.130	2.102	1.028	3.430	3.430	5.827	0.599
2.125	2.834	2.875	3.437	2.640	1.669	0.969	1.000	3.400	2.102	1.303	1.378	1.260	0.689	3.130	2.102	1.028	3.820	2.402	5.827	0.709
2.250	2.960	3.000	3.560	2.640	1.669	0.969	1.000	3.400	2.102	1.303	1.378	1.260	0.689	3.130	2.102	1.028	3.940	3.940	6.181	0.709
2.375	3.070	3.125	3.590	2.640	1.669	0.969	1.000	3.400	2.102	1.303	1.378	1.260	0.689	3.130	2.102	1.028	4.020	4.020	6.181	0.709
2.500	3.212	3.250	3.800	2.640	1.669	0.969	1.000	3.400	2.102	1.303	1.378	1.260	0.689	3.130	2.102	1.028	4.170	4.180	6.417	0.709
2.625	3.338	3.375	3.937	2.640	1.669	0.969	1.000	3.400	2.102	1.303	1.378	1.260	0.689	3.130	2.102	1.028	4.290	4.300	6.417	0.709
2.750	3.660	3.750	4.250	2.640	1.669	0.969	1.000	3.400	2.102	1.303	1.378	1.260	0.689	3.130	2.102	1.028	4.650	4.660	7.008	0.709
2.875	3.811	3.875	4.567	3.307	2.260	1.047	1.102	4.250	2.516	1.736	1.815	1.492	0.866	-	-	-	4.960	4.960	7.283	0.709
3.000	3.937	4.000	4.646	3.307	2.260	1.047	1.102	4.250	2.516	1.736	1.815	1.492	0.866	3.858	2.516	1.343	5.079	5.079	7.480	0.709
3.125	4.063	4.125	4.764	3.307	2.260	1.047	1.102	4.250	2.516	1.736	1.815	1.492	0.866	3.858	2.516	1.343	5.197	5.197	7.677	0.709
3.250	4.189	4.250	4.882	3.307	2.260	1.047	1.102	4.250	2.516	1.736	1.815	1.492	0.866	-	-	-	5.315	5.315	7.677	0.709
3.375	4.311	4.375	5.039	3.307	2.260	1.047	1.102	4.250	2.516	1.736	1.815	1.492	0.866	-	-	-	5.472	5.472	7.795	0.866
3.500	4.437	4.500	5.157	3.307	2.260	1.047	1.102	4.250	2.516	1.736	1.815	1.492	0.866	-	-	-	5.591	5.591	7.795	0.866
3.625	4.563	4.625	5.315	3.307	2.260	1.047	1.102	4.250	2.516	1.736	1.815	1.492	0.866	-	-	-	5.709	5.709	8.071	0.866
3.750	4.689	4.750	4.433	3.307	2.260	1.047	1.102	4.250	2.516	1.736	1.815	1.492	0.866	3.858	2.516	1.343	5.827	5.827	8.189	0.866
4.000	4.937	5.000	5.669	3.307	2.260	1.047	1.102	4.250	2.516	1.736	1.815	1.492	0.866	-	-	-	6.063	6.063	8.583	0.866

EagleBurgmann in your vicinity

ARGENTINA

Chilicote S.A.
Avda. Julio A. Roca 546
C1067 ABN Buenos Aires, Argentina
Phone +54 / 11 / 43 43 84 69
Telefax +54 / 11 / 43 31 42 78

AUSTRALIA

EagleBurgmann Australia Pty. Ltd.
16 Stennett Road,
Ingleburn, NSW 2565
Phone +61 / 2 / 96 05 64 44
Telefax +61 / 2 / 98 29 69 58

AUSTRIA

EagleBurgmann Austria GmbH
Vogelweidestraße 44 a
A-5020 Salzburg
Phone +43 / 662 / 82 57 01
Telefax +43 / 662 / 82 57 03

BELARUS

Metalka
Ul. Obojnaja, dom 4, korpus 1
kv. 125
220004 Minsk
Belarus
Phone +375 / 17 21 01 0785
Telefax +375 / 17 21 01 0785

BELGIUM

EagleBurgmann Belgium B.V.B.A.
Zaegerijstraat 11
B-2960 Sint-Job-in't-Door
Phone +32 / 3 / 6 33 99 44
Telefax +32 / 3 / 6 33 93 99

BULGARIA

Konstantin & Sons
Yantra Str. 13a, BG-Sofia
Phone +359 / 2 / 9 43 41 90
Telefax +359 / 2 / 9 43 41 99

BRAZIL

EagleBurgmann do Brasil
Vedapcos Industriais Ltda.
Av. Sta. Izabel, 1721
CEP - 13084-643 Barao Geraldo
Caixa Postal 65 60
Campinas - Sao Paulo
Phone +55 / 19 / 37 49 97 40
Telefax +55 / 19 / 37 49 97 42

CANADA

Nova Magnetics-Burgmann Ltd.
One Research Drive
Dartmouth, Nova Scotia
Canada B2Y 4M9
Phone +1 / 902 / 465 66 25
Telefax +1 / 902 / 465 66 29

TG-Burgmann Ltd.

3225 Mainway Drive
Burlington, Ontario
Canada L7M1A6
Phone +1 / 905 / 3 35 14 40
Telefax +1 / 905 / 3 35 40 33

CHILE

SolloTeco Ltda.
Luis Thayer Ojeda No. 0130
OF 806 Providencia Santiago, Chile
Phone +56 / 2 / 333 33 03
Telefax +56 / 2 / 333 25 19

CHINA

Burgmann Shanghai Ltd.
No. 127-B Wenjing Road
Minhang, Shanghai
People's Republic of China
Phone +86 / 21 / 64 62 05 50
Telefax +86 / 21 / 64 30 02 19

Burgmann Dalian Ltd.

No. 86 Liaohu East Road, DD Port
116620 Dalian
People's Republic of China
Phone +86 / 41 8758 1000
Telefax +86 / 41 8758 1418

EBI (Shanghai) Investment Management Co. Ltd.

Room 205 B Cimic Tower
No. 1090 Century Ave. Pudong
201120 Shanghai, China
Phone +86 21 58 36 15 99
Telefax +86 21 58 35 48 38

COLOMBIA

William Tobon & Cia.
Cr. 7 - 64 - 50 - Ext. 301
Santafé de Bogotá
Phone +57 / 1 / 2 11 76 75
Telefax +57 / 1 / 2 11 76 75

CYPRUS & LEBANON

TRCI Ltd.
122, Limassol Ave. PO Box 24371
1703 Nicosia, Cyprus
Phone +357 22 42 79 80
Telefax +357 22 42 30 21

CZECH REPUBLIC

EagleBurgmann Czech s.r.o.
Na Drahač 1364
CZ-15600 Praha 5 Zbraslav
Phone +420 / 2 / 57 92 05 05
Telefax +420 / 2 / 57 92 05 08

KE-Burgmann Czech s.r.o.

V Lázních 395
CZ-254 01 Jilove u Prahy
Phone +420 / 2 / 41 02 18 11
Fax +420 / 2 / 41 02 18 30

DENMARK

KE-Burgmann A/S
Expansion Joints Division
Park Allé 34, DK-6600 Vejjen
Phone +45 / 75 36 18 11
Telefax +45 / 75 36 15 32

KE-Burgmann A/S

Seals Division
Industrisvinget 1, DK-6600 Vejjen
Phone +45 / 75 36 49 88
Telefax +45 / 75 36 39 88

KE-Burgmann Bredan A/S

Odnsvvej 1, Box 129
DK-6950 Ringkøbing
Phone +45 / 96 74 28 00
Telefax +45 / 97 32 36 31

ECUADOR

Petroconsultant S.A.
Fco. de Goya 262
Urb. Los Cipreses II
El Condado
P.O. Box 17-17-1254, Quito
Phone +593 / 2 / 49 17 52
Telefax +593 / 2 / 49 35 09

EGYPT

Alimex Alexandria Import Export
258 Abdel Salam Aref Str.
Louran - El Saray
Alexandria POB 313
Phone +20 / 3 / 5 81 00 60
Telefax +20 / 3 / 5 81 00 65

FINLAND

KE-Burgmann Finland Oy
Expansion Joints
P.O. Box 139, Ensimmäinen Savu
SF-01 610 Vantaa
Phone +358 / 9 / 82 55 01
Telefax +358 / 9 / 82 55 02 00

TIIVISTETEKNIILKKA OY

Mäkituntantie 5, SF-01510 Vantaa
Geb. 1192, PB 14
Paul-Baumann-Str. 1
D-45764 Marl
Phone +49 / 2365 / 4 98 61 64
Telefax +49 / 2365 / 4 98 61 60

FRANCE

EagleBurgmann France SAS
Zone d'Activité Les Perriers
106/108 Route de Cormeilles
BP 96, F-78905 Sartrouville
Phone +33 / 1 / 30 86 50 20
Telefax +33 / 1 / 39 15 16 07

GERMANY

Kundenbetreuungs-Center Nord / Werksbüro Bremen
Postweg 190
D-21218 Seevetal / Beckedorf
Phone +49 / 4105 / 6750-0
Telefax +49 / 4105 / 6750-193

Kundenbetreuungs-Center Ost / Werksbüro Cottbus

Airpark Merseburg
Hans-Grade-Straße 4
D-06217 Merseburg
Phone +49 / 35608 / 4 09 85
Fax +49 / 35608 / 4 09 39

Werksbüro Frankfurt

Dierzer Strasse 108
D-65549 Limburg/Lahn
Phone +49 / 6431 / 9 22 99
Telefax +49 / 6431 / 9 22 98

Kundenbetreuungs-Center Frankfurt / Werksbüro Frankenthal

Carl-Benz-Straße 15
D-67227 Frankenthal
Phone +49 / 62 33 / 770 89-0
Telefax +49 / 62 33 / 770 89-130

Kundenbetreuungs-Center Südwest / Werksbüro Freiburg

Karlstraße 82
D-72138 Kirchentellinsfurt
Phone +49 / 7121 / 67 84 93
Fax +49 / 7121 / 96 30 44

Kundenbetreuungs-Center Nord / Werksbüro Hamburg

Postweg 190
D-21218 Seevetal / Beckedorf
Phone +49 / 4105 / 6750-0
Telefax +49 / 4105 / 6750-193

Kundenbetreuungs-Center Köln / Werksbüro Köln

Gewerbegebiet Rheinbogen
Vorgebirgsstr. 27
D-50389 Wesseling
Phone +49 / 2236 / 38 33 0
Telefax +49 / 2236 / 38 33 20

Kundenbetreuungs-Center Ost / Werksbüro Leipzig

Airpark Merseburg
Hans-Grade-Straße 4
D-06217 Merseburg
Phone +49 / 3461 / 84 29 10
Telefax +49 / 3461 / 84 29 30

Werksbüro München

Postfach 1240
D-82502 Wolfraatshausen
Phone +49 / 81 71 / 23 12 71
Telefax +49 / 81 71 / 23 10 49

Werksbüro Nürnberg

Riedäckelweg 2
D-90765 Fürth-Stadeln
Phone +49 / 91 / 1 67 00 87
Telefax +49 / 91 / 1 76 76 23

Kundenbetreuungs-Center Nord / Werksbüro Oldenburg

Seagut-Wilhelm-Kühnholz-Str. 45
D-26135 Oldenburg
Phone +49 / 441 / 5 46 39
Telefax +49 / 441 / 5 54 28

Werksbüro Regensburg

Aussiger Str. 9
D-93073 Neutraubling
Phone +49 / 9401 / 52 22 77
Telefax +49 / 9401 / 52 23 73

Kundenbetreuungs-Center Ruhr / Werksbüro Ruhr

Am Piekensbrocksbach 8
D-46238 Bottrop
Phone +49 / 2041 / 1 88 51 - 14
Telefax +49 / 2041 / 1 88 51 - 20

Kundenbetreuungs-Center Südwest / Werksbüro Stuttgart

Karlstraße 82
D-72138 Kirchentellinsfurt
Phone +49 / 7121 / 96 30 43
Telefax +49 / 7121 / 96 30 44

Service Center Bayern

Burgmannstr. 1
D-82547 Eurasburg
Phone +49 / 81 71 / 23 17 37
Telefax +49 / 81 71 / 23 16 63

Service Center Köln

Gewerbegebiet Rheinbogen
Vorgebirgsstr. 27
D-50389 Wesseling
Phone +49 / 2236 / 38 33 50
Telefax +49 / 2236 / 38 33 70

Service Center Marl

Geb. 1192, PB 14
Paul-Baumann-Str. 1
D-45764 Marl
Phone +49 / 2365 / 4 98 61 64
Telefax +49 / 2365 / 4 98 61 60

Service Center Nord

Postweg 190
21218 Seevetal / Beckedorf
Phone +49 / 4105 / 6750-0
Telefax +49 / 4105 / 6750-191

Service Center Ost

Airpark Merseburg
Hans-Grade-Straße 4
D-06217 Merseburg
Phone +49 / 3461 / 84 29 20
Telefax +49 / 3461 / 84 29 30

Service Center Rhein-Main

Carl-Benz-Straße 15
D-67227 Frankenthal
Phone +49 / 62 33 / 770 89-120
Telefax +49 / 62 33 / 770 89-131

Service Center Ruhr

Am Piekensbrocksbach 8
D-46238 Bottrop
Phone +49 / 2041 / 1 88 51 - 50
Telefax +49 / 2041 / 1 88 51 - 70

Espey Burgmann GmbH

Thomas-Edition-Str. 19
D-47445 Moers
Phone +49 / 2841 / 9 98 27 - 0
Telefax +49 / 2841 / 9 98 27 - 55

Burgmann Automotive GmbH

Burgmannstraße 1
D-82547 Eurasburg
Phone +49 / 81 71 / 23 15 30
Telefax +49 / 81 71 / 23 15 30

Euroseals Customer Service

Postweg 190
21218 Seevetal / Beckedorf
Phone +49 / 4105 / 6750-0
Telefax +49 / 4105 / 6750-190

Euroseals Customer Service

Postweg 190
D-67227 Frankenthal
Phone +49 / 62 33 / 770 89-150
Telefax +49 / 62 33 / 770 89-190

GREAT BRITAIN

EagleBurgmann Industries UK LP
12, Welton Road
Wedgcock Industrial Estate
GB-Warwick CV 34 5PZ
Phone +44 / 1926 / 41 76 00
Telefax +44 / 1926 / 41 76 01

KE-Burgmann U.K.

Eaton Bank, Congleton
GB-Cheshire SW1 2 1NZ
Phone +44 / 1260 / 29 12 89
Telefax +44 / 1260 / 29 13 03

GREECE

A.G. Stambolidis & Co.
Mitrodorou 22
GR-10441 Athen
Phone +30 / 21 / 05 15 06 65
Telefax +30 / 21 / 05 15 08 10

HUNGARY

EagleBurgmann Hungaria Kft.
Lejtó utca 6
H-1124 Budapest
Phone +36 / 1 / 3 19 81 31
Telefax +36 / 1 / 3 19 81 25

INDIA

Burgmann India PVT. LTD.
A.K. Industrial Estate
Madina Manzil Compound
S.V. Road, Goregaon (West)
Bombay 400 062
Phone +91 / 22 / 28 74 15 34
Telefax +91 / 22 / 28 74 88 10

KE-Burgmann

Flexibles India Pvt. Ltd.
Survey No. 1426
Nagappa Industrial Estate, 194
G.N.T. Road, Puzhal
Chennai 600 066, India
Phone +91 / 44 / 6 59 06 32
Telefax +91 / 44 / 6 59 09 17

INDONESIA

PT EagleBurgmann Indonesia
Jl. Jababeka Blok J6 E
Kawasan Industri Cikarang
Bekasi 17550 - Jawa Barat
Phone +62 / 21 / 8 93 53 13
Telefax +62 / 21 / 8 93 53 15

IRAK

WTE
Ukha Sq., Mahala 929
Zuhak 2, House No. 5
P.O. Box No. 2421
Al Jadria, Baghdad
Phone +964 171 99033
Telefax +964 171 93034

IRAN

Burgmann Pars Sealing Systems Co.
No. 1, Kokab Alley,
Pasdaran Ave.
Teheran
Tel. +98 / 21 / 2 86 28 19
Fax +98 / 21 / 2 85 44 81

ISRAEL

ETA Engineering Ltd.
P.O. Box 890
Ramat-Gan 52108
17 Tushia St.
Phone +972 / 3 / 6 24 19 45
Telefax +972 / 3 / 5 62 84 75

ITALY

EagleBurgmann Italia s.r.l.
Viale Martiri della Liberazione, 12
I-23875 Osago (LC)
Phone +39 / 039 / 55 25 501
Telefax +39 / 039 / 928 94 83

BT-Burgmann S.P.A.

Airp. Meucci, 58
I-36057 Arcugnano (Vi)
Phone +39 / 0444 / 28 89 77
Telefax +39 / 0444 / 28 86 93

JAPAN

Eagle Industry Co., Ltd.
General Industry Overseas Sales Dept.
Marketing & Sales Division
1-12-15, Shiba-Daimon, Minato-ku
Tokyo, 105-8587
Phone +81 / 3 / 3432-4771
Telefax +81 / 3 / 3438-2370

JORDAN

Emn Essa Trading Est.
P.O. Box 840067
Amman 11180
Phone +96 / 279 / 5 57 66 92
Telefax +96 / 265 / 66 55 96

KOREA

EagleBurgmann Korea Co. Ltd.
541, Suwolam-Ri, Seotan-Myon
Pyeongtaek-St, Kyongki-Do, -451-850-,
Pyeongtaek Yosu Busan Daegu
Phone +82 / 31 / 664-40 95
Telefax +82 / 31 / 664-40 94
Branch Offices: Ulsan

KUWAIT

Dan Trading & Contracting Co. W.L.L.
P.O. Box 5092
13051 Safat, Kuwait
Phone +965 / 2 / 43 25 53
Telefax +965 / 2 / 43 78 33

LIBYA

United Technical & Engineering
Misraan St.
P.O. Box 81 276
Tripoli G.S.P.L.A.J.
Phone +21 8 21 4442 641
Telefax +21 8 21 4776 152

LITHUANIA

Dmitri Melnikow
Balandziu 5 - 2
LT-91188 Klaipeda
Phone / Fax +370 46 31 29 49
Telefax +370 69 82 14 27

MALAYSIA

EagleBurgmann (Malaysia) Sdn. Bhd.
No. 7, Lorong SSI 3, 6 B
Off Jalan SSI 3/6
Subang Jaya Industrial Estate
47500 Petaling Jaya
Phone +60 / 3 / 56 34 86 24
Telefax +60 / 3 / 56 34 97 42

MEXICO

EagleBurgmann Mexico S.A. de C.V.
Callezada de Guadalupe
Num. 350-6, Col. El Cerrito
C.P. 54720, Cuautitlan Izcalli,
Estado de México, Mexico City
Phone +52 / 55 / 58 72 53 93
Telefax +52 / 55 / 58 72 64 93

MOROCCO

Petro-Mat
Angle Rue Michel de l'Hôpital
et Rue Jules Cesar
Casablanca 05
Phone +212 / 240 / 87 99
Telefax +212 / 240 / 19 39

NETHERLANDS

EagleBurgmann Netherlands B.V.
Kruisbosch 21b
NL-3905 TE Veenendaal
Phone +31 / 31 8 / 54 20 00
Telefax +31 / 31 8 / 54 15 35

NEW ZEALAND

EagleBurgmann New Zealand Ltd.
P.O. Box 34285, Birkenhead,
3 Parity Place, Glenfield, Auckland
Phone +64 / 9 / 4 41 27 64
Telefax +64 / 9 / 4 41 27 66

NIGERIA

Sealing Engineering Services Ltd.
82 St. Finbar's College Road
Akoka / Yaba, Lagos
Phone +234 / 11 / 82 58 09
Telefax +234 / 11 / 82 58 09

NORWAY

EagleBurgmann Norway AS
P.O. Box 143
Industriveien 25 D
N-2021 Skedsmokorset
Phone +47 / 64 / 83 75 50
Telefax +47 / 64 / 83 75 75

OMAN

Overseas Petroleum Equipment Co. L.L.C.
P.O. Box 261, Hamriya
Postal Code 31, Sultanate of Oman
Phone +968 / 60 21 82
Telefax +968 / 60 20 84

PAKISTAN

Azif Asim Associates
Suit #02, 1st Floor,
Sameer Plaza Civic Center, 3-C1
Faisal town
54660 Lahore, Pakistan
Tel. +92 / 42 / 111 585
Fax +92 / 42 / 516 83 44

PERU

Corporación Gamma S.A.C.
Av. La Marina 1321, San Miguel
Lima - Peru
Phone +51 / 12 / 63 76 70
Telefax +51 / 12 / 63 02 86

PHILIPPINES

Burgmann (Philippines) Inc.
No. 9769 National Road, Madyua
Carmona, Cavite
Phone +63 / 49 / 8 39 06 55
Telefax +63 / 49 / 8 39 06 54

POLAND

KE-Burgmann Polska Spółka z o.o.
Ul. Technikow 40
PL-02-468 Warszawa
Tel. +48 22 863 12 45
Fax +48 22 863 12 50

PORTUGAL

EagleBurgmann Ibérica S.A.
Avda. de Quitapesares, 40
E-28670 Villav